

AVENGER™ 33

Particulate & Coalescing Filter



High performance filters providing the utmost flexibility for coalescing/particulate filtration needs!

The Avenger™ 30 Series Filters provide sample conditioning and analyzer protection by using a disposable filter element to remove solids and liquid droplets from gas sample streams. Genie® Membrane Technology™ with Liquid Block™ can be added as an option to the 30 Series filters, in addition to the disposable filter element. The use of Genie® Membrane Technology™ in these filters will remove 100% of entrained liquid, including aerosols, from the sample stream. The Liquid Block™ will completely valve off flow through the membrane to prevent liquid break-through from occurring in the presence of excess liquid. The Avenger™ 30 Series sample filters are easy to install and maintain, especially in heated, densely populated cabinets. The uniquely designed filter housing allows service to the filter element/membrane by simply removing the bowl without disassembly of the fittings.

The Avenger™ Model 33 is the same size as the Model 33M. Unlike the Model 33M, the Model 33 does not include Genie® Membrane Technology™ or Liquid Block™. If either of these features are desired, the Model 33M should be selected. When compared to the Models 38 and 38M, the Model 33 is larger in size and internal volume, making it better suited for applications requiring higher flow rates or containing larger amounts of contaminants than the Models 38 and 38M can handle. In addition to gas sampling applications, the Model 33 can also be used as a particulate filter in liquid sampling applications.

Technical Specifications

Maximum pressure rating	1,000 psig (68.9 barg)
Maximum temperature	300°F (149°C) <small>*Actual limit depends on sealing material chosen. Refer to Temperature Range Comparison Chart.</small>
Flow coefficients, Liquid C_v	Without element 1.9
Element size	Outside Diameter: ~ 1.4" Inside Diameter: ~ 1.0" Length: ~ 2.5"
Port sizes	Inlet, Outlet, & Bypass: 1/2" female NPT Gauge: 1/4" female NPT
Number of ports	5
Internal volume	200 cc
Wetted materials	Machined parts: 316/316L stainless steel / NACE compliant All other metal parts: stainless steel / NACE compliant Sealing material: User defined

Product Brief

Applications

- Continuous sampling in any process industry including natural gas, petrochemical, and oil refining
- Coalescing liquid droplets
- Particulate removal from gas and liquid sample streams

Benefits

- Analyzer protection against liquid droplets and micron/submicron size particles
- Quick and easy installation and maintenance
- Multiple porting configurations

Features

- 5 ports
- Horizontal mounting
- All primary connection ports on filter head

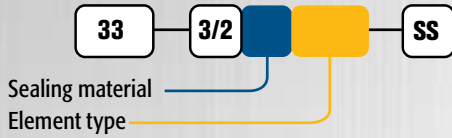


Model Numbering & Additional Part Numbers

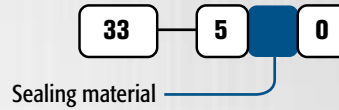
Your model number is determined by your specific needs. Choose options below.

Sealing material	0 = Fluoroelastomer	1 = Perfluoroelastomer	(other materials available upon request)
Element type	07CFS = 0.1 micron coalescer fluorocarbon	SS10 = 10 micron stainless steel	
Mounting bracket accessory	Part # 33-509SS (sold separately)		

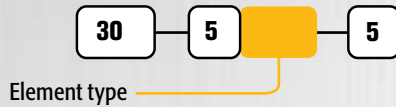
How to build the model number:



How to build the replacement o-ring kit number:



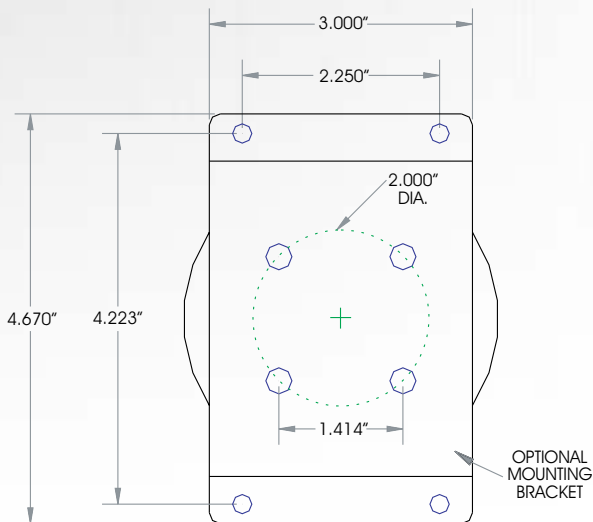
How to build the replacement filter element number:



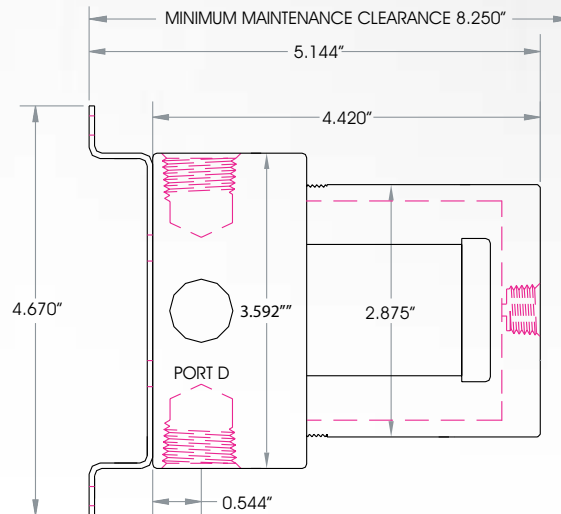
Replacement filter kit contains 5 total. O-ring replacement kit contains all assembly o-rings.

Dimensions

Back View



Side View



Analytically Correct™ sample systems, sample conditioning components, and revolutionary gas and liquid sampling technology.

Contact us for expert product application assistance.

1.225.644.5255

sales@geniefilters.com

geniefilters.com

41041 Black Bayou Road, Gonzales, Louisiana 70737

